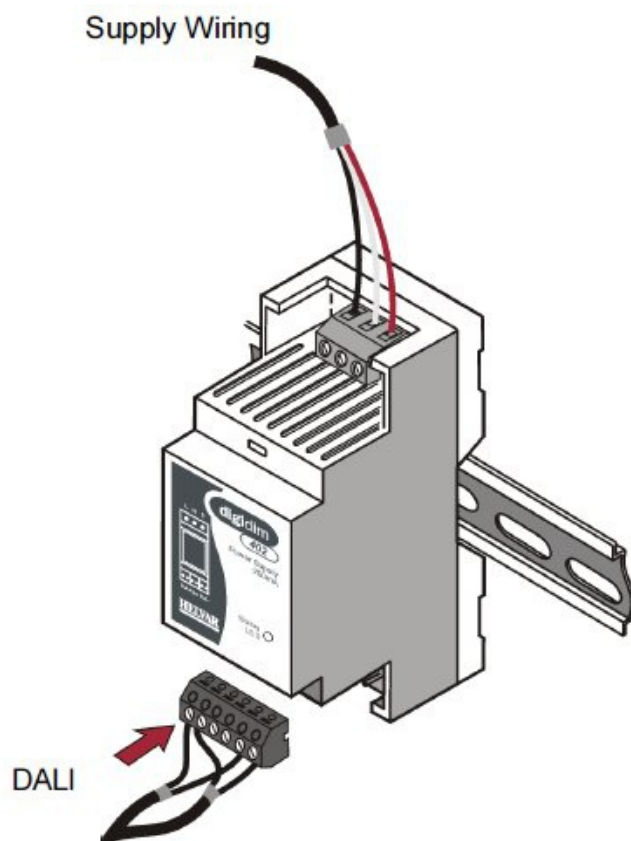


# Zasilacz magistrali DALI

Kod Elektriako: 76683



**UWAGA:** Zdjęcie poglądowe dla całej rodziny produktów.

## Introduction

The DIGIDIM Power Supply is a fully DALI compatible Power Supply Unit, designed to provide a DIGIDIM system with the required supply of up to 250 mA.

The power supply is a DIN-rail mounted unit.

An LED indicates that the unit is connected to the mains supply.

Note: If a power supply unit is connected to the system, no other source of power may be used.

## Key Features

- □ Supplies power to a DIGIDIM system up to the maximum of 250 mA.
- □ DALI short circuit protected.
- □ Over temperature protected.

- □ DIN-rail mounted and only 35 mm wide.
- □ Status LED - Indicates DALI communication by flashing.
- □ Operates on a universal supply voltage of 85 - 264VAC.