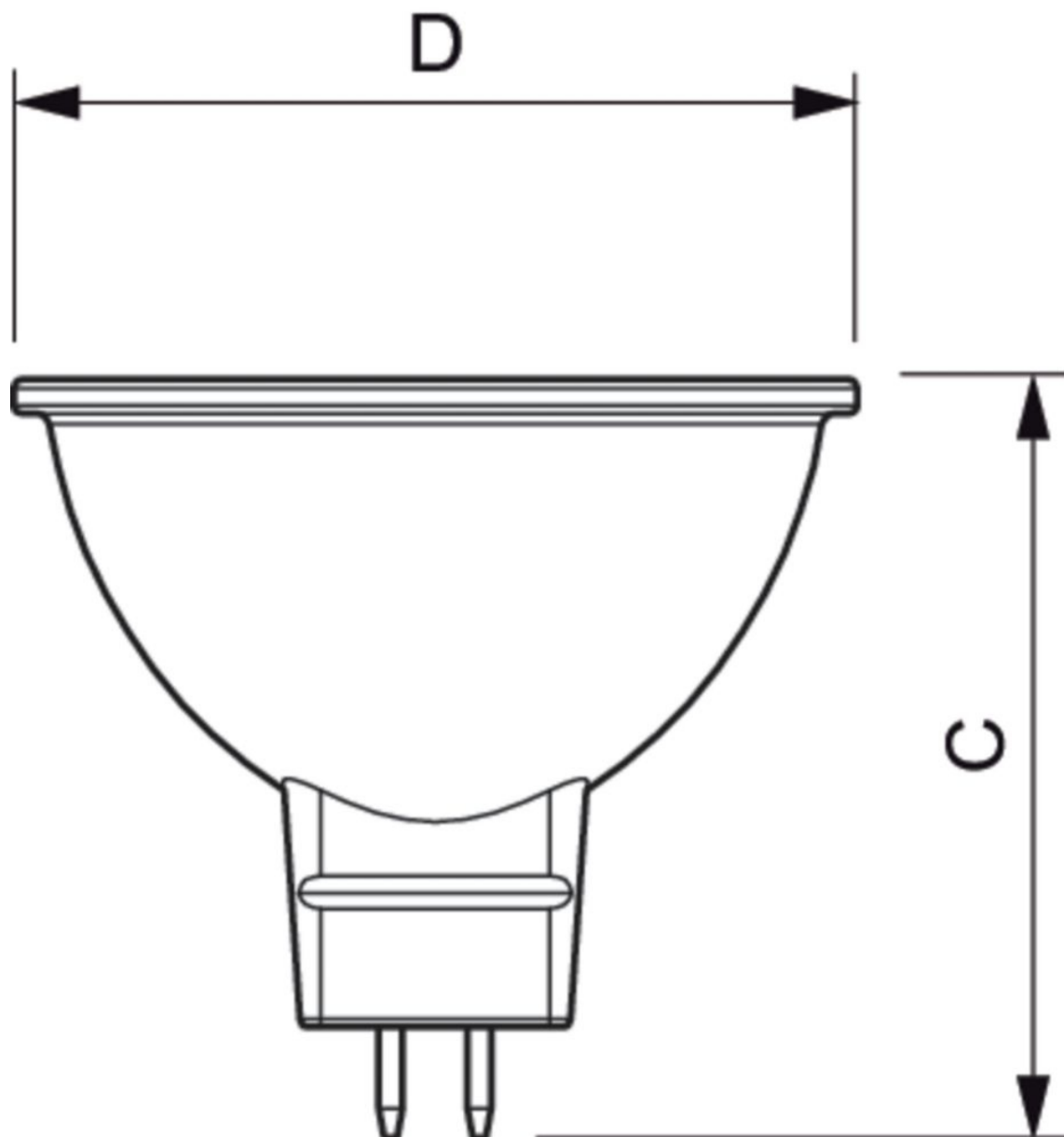


Corepro Led Spot 2.6-20w 827 Mr11 36d

Kod ElektriKo: 90370 Kod Philips: 8718696708682



Dane techniczne:

- Color Consistency
- Power (Rated) (Nom) **2.6W**
- Voltage (Nom) **12V**
- Suitable For Accent Lighting **Yes**
- EAN/UPC - Product **8718696708682**
- Numerator - Packs per outer box **12**
- Numerator - Quantity Per Pack **1**
- Material Nr. (12NC) **929001339202**
- Net Weight (Piece) **0.018kg**
- Cap-Base **GU4 [GU4]**
- Dimmable **No**

- Nominal Lifetime (Nom) **15000h**
- Beam Angle (Nom) **36°**
- Color Code **827 [CCT of 2700K]**
- Switching Cycle **50000X**
- Technical Type **2.6-20W**
- Luminous Flux (Nom) **190lm**
- Luminous Flux (Rated) (Nom) **190lm**
- Luminous Intensity (Nom) **400cd**
- Color Designation **Warm White (WW)**
- Correlated Color Temperature (Nom) **2700K**
- Rated Beam Angle **36°**
- Color Rendering Index (Nom) **80**
- Luminous Efficacy (Rated) (Nom) **63.33lm/W**
- LLMF At End Of Nominal Lifetime (Nom) **70%**
- Lamp Current (Nom) **350mA**
- Luminous Flux in 90° Cone (Rated) **190lm**
- Starting Time (Nom) **0.5s**
- Warm Up Time to 60% Light (Nom) **0.5s**
- Wattage Equivalent **20W**
- Power Factor (Nom) **0.66**
- T-Case Maximum (Nom) **79° C**
- Energy Consumption kWh/1000 h **3kWh**
- Energy Efficiency Label (EEL) **A+**
- Color Consistency
- Power (Rated) (Nom) **2.6W**
- Voltage (Nom) **12V**
- Suitable For Accent Lighting **Yes**
- EAN/UPC - Product **8718696708682**
- Numerator - Packs per outer box **12**
- Numerator - Quantity Per Pack **1**
- Material Nr. (12NC) **929001339202**
- Net Weight (Piece) **0.018kg**
- Cap-Base **GU4 [GU4]**
- Dimmable **No**
- Nominal Lifetime (Nom) **15000h**
- Beam Angle (Nom) **36°**
- Color Code **827 [CCT of 2700K]**
- Switching Cycle **50000X**
- Technical Type **2.6-20W**
- Luminous Flux (Nom) **190lm**
- Luminous Flux (Rated) (Nom) **190lm**
- Luminous Intensity (Nom) **400cd**
- Color Designation **Warm White (WW)**
- Correlated Color Temperature (Nom) **2700K**
- Rated Beam Angle **36°**
- Color Rendering Index (Nom) **80**
- Luminous Efficacy (Rated) (Nom) **63.33lm/W**
- LLMF At End Of Nominal Lifetime (Nom) **70%**
- Lamp Current (Nom) **350mA**
- Luminous Flux in 90° Cone (Rated) **190lm**
- Starting Time (Nom) **0.5s**
- Warm Up Time to 60% Light (Nom) **0.5s**
- Wattage Equivalent **20W**
- Power Factor (Nom) **0.66**
- T-Case Maximum (Nom) **79° C**
- Energy Consumption kWh/1000 h **3kWh**

- Energy Efficiency Label (EEL) **A+**

Światłówki CorePro LEDspot to idealne rozwiązanie do instalacji oświetlenia punktowego. Emitują ciepłe światło podobne jak ze źródeł halogenowych. Pasują do większości istniejących opraw z uchwytyami MR16 GU5.3. Są przewidziane jako zamienniki lamp halogenowych i żarówek. Lamy LED to doskonała energooszczędność i bardzo niskie koszty konserwacji.